

24/7
accessibility



Mobile



Customisable



SafeStore Auto Mini

Automated safe deposit locker system
for a quick installation in small and narrow
or temporary self-service areas

GUNNEBO[®]

Automated technology for 24/7 accessibility



Reduce staff time as the next-generation automated technology retrieves the locker compartment without assistance from staff at any time and on any day of the week. Drive

utilisation rates, attract a broader customer base and increase locker rental fees thanks to 24/7 accessibility. Offer customers and employees user-friendly features like the interactive user interface and card reader, both of which are as easy to use as an automated teller machine (ATM). And enhance access for people with a disability with the new ergonomic touchscreen.

Mobile by design



Discover the plug-and-play design delivered as a complete unit for quick installation in small and narrow self-service areas. Need to relocate? Simply move and install: your

system is up and running in no time, thereby optimising your investment. Integrate easily into any existing environment without the need for physical alterations.

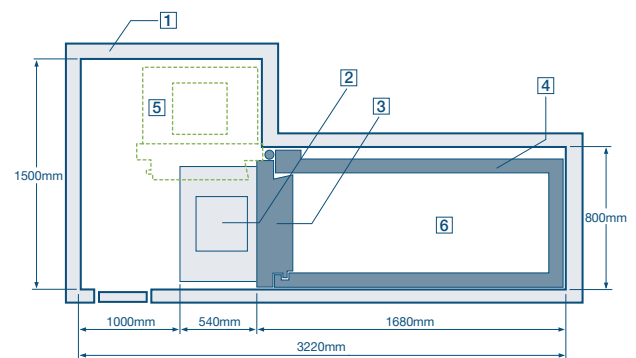
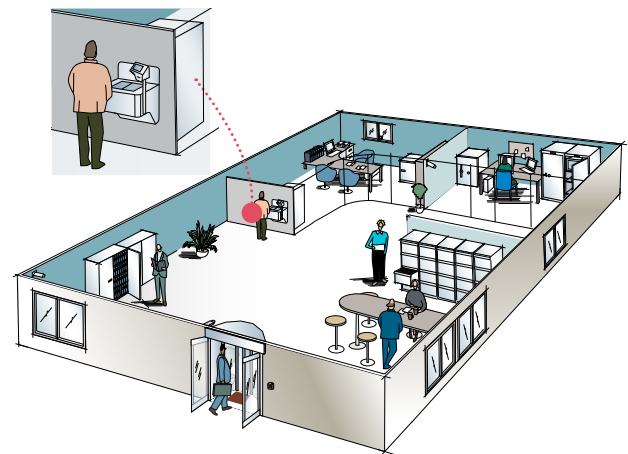
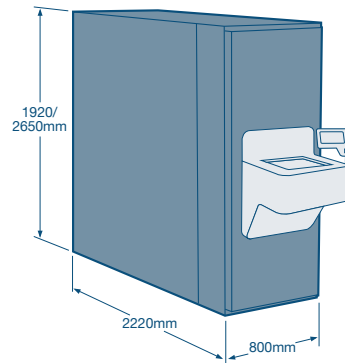
Customisation at your service



Choose from two different sizes (1920mm or 2650mm), three different locker heights, and between 51 and 101 locker compartments for a variety of possible arrangements.

Customise the terminal's colours and materials to better integrate into your self-service area. For even larger units, Gunnebo's SafeStore Auto Midi and SafeStore Auto Maxi are also available.

Service maintenance access from the front



- 1. Global surface 3.83m²
- 2. Self service terminal
- 3. Door
- 4. Panels
- 5. Maintenance service area 2.5m²
- 6. Safe deposit lockers area 1.33m²

Choose from a combination of locker sizes and configurations

There are 6 alternative shelf formations:

Type 1

HxWxD: 1920x800x2220mm. Weight: 3100kg.

| Version | Size (H) | No. Compartments |
|---------|----------|------------------|
| 1 | 46mm | 69 |
| | | Total 69 |
| 2 | 46mm | 34 |
| | 91mm | 17 |
| | | Total 51 |
| 3 | 46mm | 40 |
| | 91mm | 6 |
| | 137mm | 5 |
| | | Total 51 |

Type 2

HxWxD: 2650x800x2220mm. Weight: 4200kg.

| Version | Size (H) | No. Compartments |
|---------|----------|------------------|
| 4 | 46mm | 101 |
| | | Total 101 |
| 5 | 46mm | 70 |
| | 91mm | 15 |
| | | Total 85 |
| 6 | 46mm | 50 |
| | 91mm | 14 |
| | 137mm | 7 |
| | | Total 71 |

Inner dimensions of lockers

| Compartment | H | W | D |
|-------------|-----|-----|-----|
| 46 | 34 | 239 | 370 |
| 91 | 80 | 239 | 370 |
| 137 | 125 | 239 | 370 |

- Maximum load capacity: 25kg per cassette.
- The cassettes are suitable for storing folders > A4. Lockers higher than 80mm can contain lever arch files.



Your choice for a compact self-service system

Provide your customers with 24/7 access to their valuables via a plug-and-play automated safe deposit locker system that is ideal for small- and medium-sized, or temporary locations: **SafeStore Auto Mini** is the **portable model** from the SafeStore Auto range, offering the next-generation automated security and advanced customer identification features you expect from this revolutionary system. Ideal for banking, hotel and office environments, it meets your need for a highly mobile solution that can easily integrate into any existing self-service area for greater return on investment.

Differentiate your brand with SafeStore Auto.

SafeStore Auto Mini



Take advantage of our knowledge:
www.GunneboSafeStorage.com

GUNNEBO®